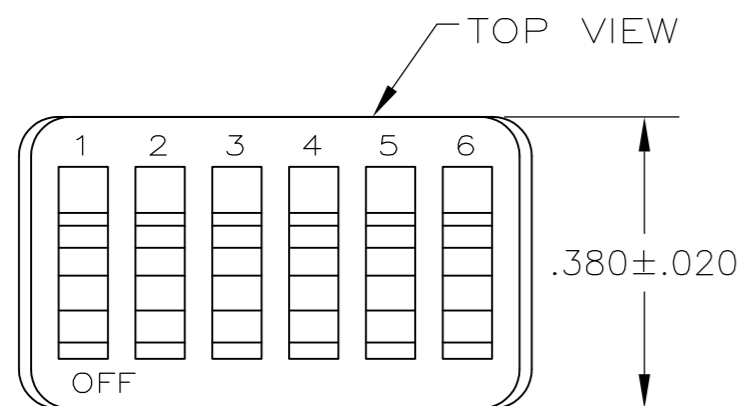
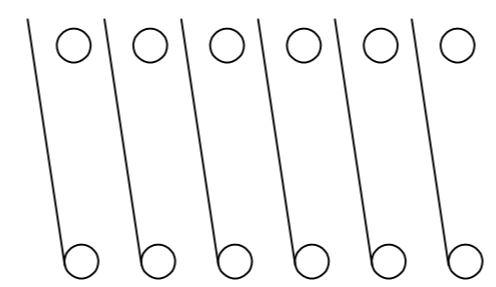
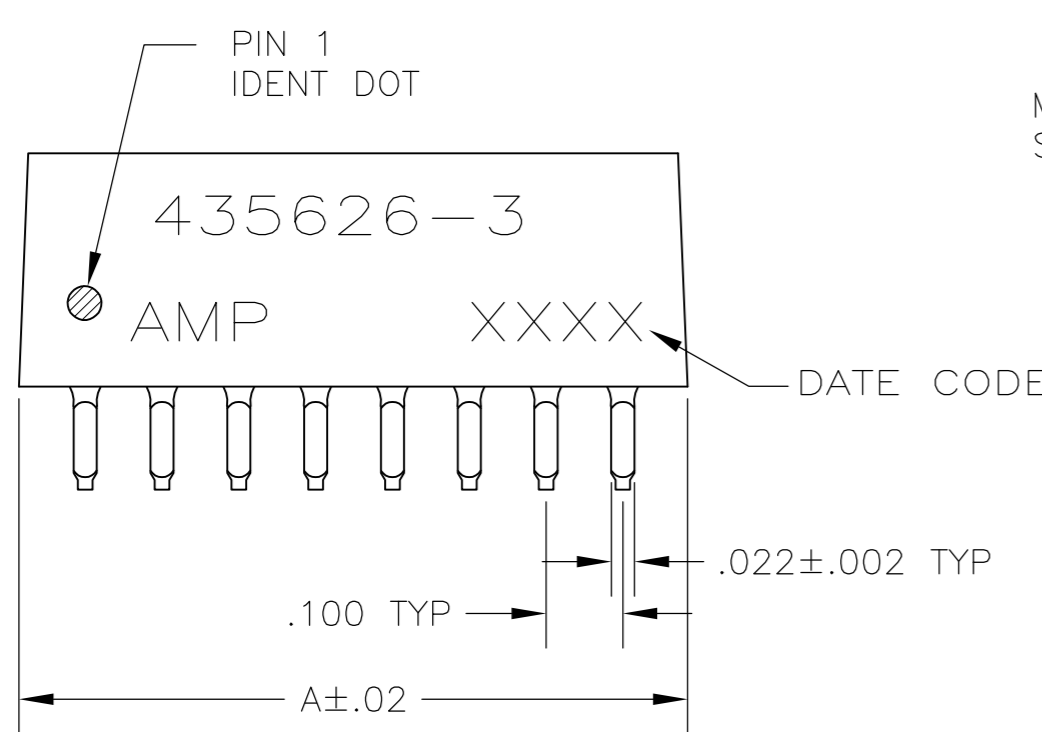
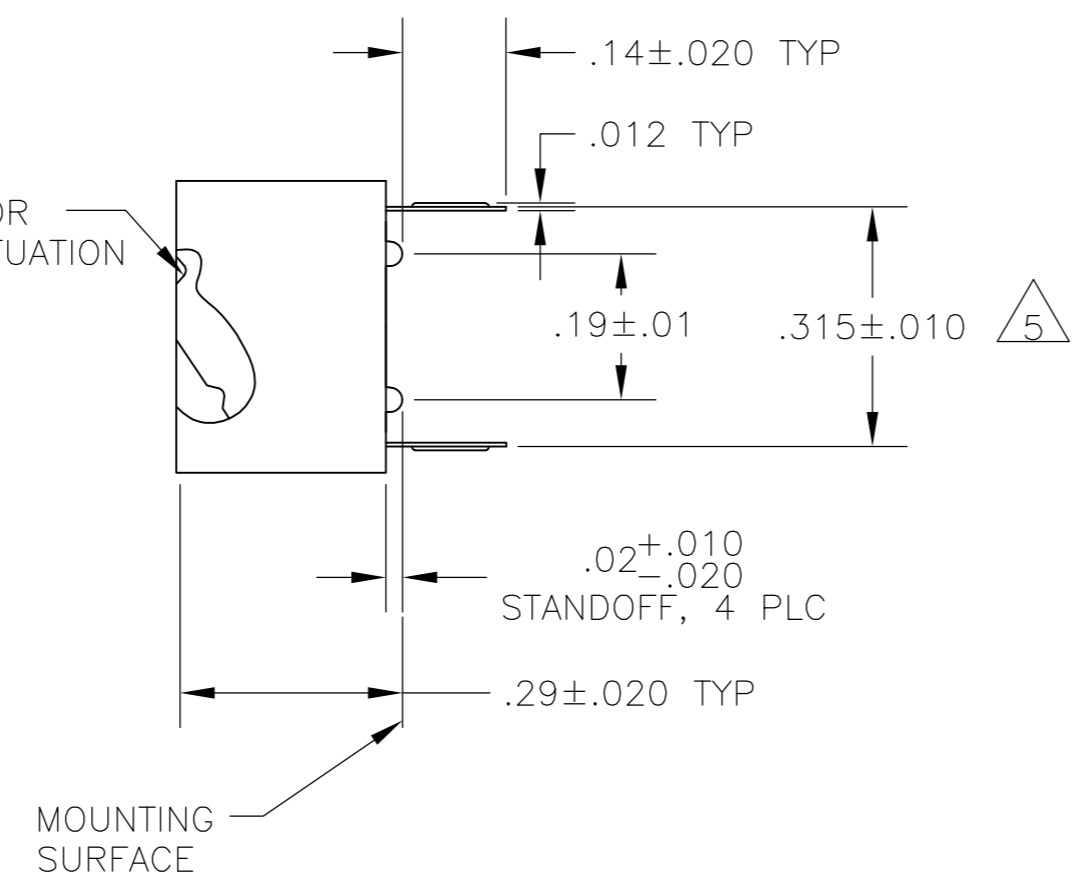


THIS DRAWING IS UNPUBLISHED. RELEASED FOR PUBLICATION
 © COPYRIGHT BY TYCO ELECTRONICS CORPORATION. ALL RIGHTS RESERVED.

LOC		DIST		REVISIONS			
AD	00	P	LTR	DESCRIPTION	DATE	DWN	APVD
		BF1		REVISED PER ECO-09-021510	08SEP09	KK	AEG



NOTCHES FOR
ROCKER ACTUATION



CONTACT ARRANGEMENT

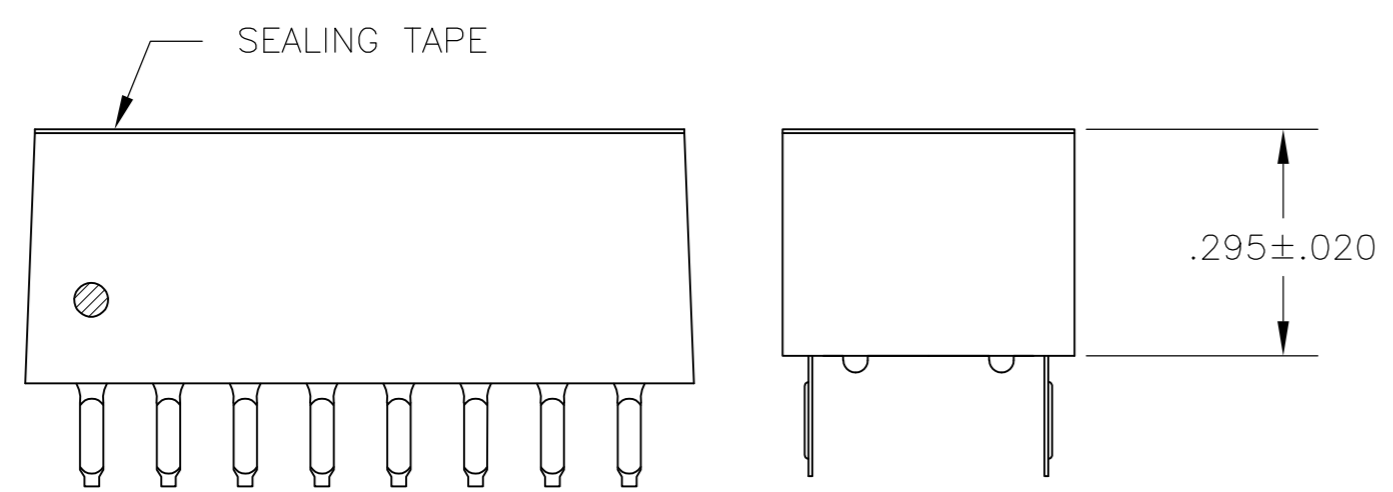


FIG 1

- FOR ADDITIONAL SPECIFICATIONS SEE AMP PRODUCT SPEC 108-7519.
 - SWITCH SHOWN IN OPEN POSITION.
 - ALL CHARACTERS AND ROCKERS ARE WHITE, HOUSING IS BLACK.
 - STAMPING WILL VARY ON 2 & 3 POSITION SIDES DUE TO SPACE RESTRICTIONS.
- △5 .315 DIMENSION APPLIES AT TERMINAL TIPS. TERMINALS ARE .300 ± .010 AT MOUNTING SURFACE.
- △6 ALL MATERIALS AND FINISHES SHALL COMPLY WITH EU DIRECTIVE 2002/95/EC OF 27JAN2003 (ROHS).
- △7 OBSOLETE PARTS: OBSOLETE CIS STREAMLINING PER D.RENAUD/D.SINISI

△7	OBSOLETE	△6	1.08	10	9-435626-4
		△6	.88	8	9-435626-2
△7	OBSOLETE	△6	.78	7	9-435626-1
		△6	.68	6	9-435626-0
		△6	.48	4	8-435626-8
		△6	.38	3	8-435626-7
		△6	.28	2	8-435626-6
		△6	.88	8	5-435626-5
		△6	.58	5	5-435626-2
		△6	.48	4	5-435626-1
					4-435626-9
			1.28	12	4-435626-6
			1.08	10	4-435626-4
			.98	9	4-435626-3
			.88	8	4-435626-2
			.78	7	4-435626-1
			.68	6	4-435626-0
			.58	5	3-435626-9
			.48	4	3-435626-8
			.38	3	3-435626-7
			.28	2	3-435626-6
			.28	2	1-435626-9
			1.08	10	435626-7
			.88	8	435626-5
			.78	7	435626-4
			.68	6	435626-3
			.58	5	435626-2
			.48	4	435626-1

THIS DRAWING IS A CONTROLLED DOCUMENT.		DWN	1-2-90	Tyco Electronics Corporation	
DIMENSIONS: INCHES		CHK	1-3-90	Harrisburg, Pa 17105-3608	
TOLERANCES UNLESS OTHERWISE SPECIFIED:		APVD	1-3-90	NAME	
0 PLC	± -	PRODUCT SPEC		SWITCH ASSY, DIP, TYPE C, 7000 SERIES, SPST, LOW PROFILE	
1 PLC	± -	APPLICATION SPEC		SIZE	CAGE CODE
2 PLC	± -			A2	00779
3 PLC	± .005			DRAWING NO	C=435626
4 PLC	± -			RESTRICTED TO	
ANGLES	± -	WEIGHT	-	SCALE	4:1
FINISH		CUSTOMER DRAWING		SHEET	1 OF 1
HOUSING & ROCKERS: POLYESTER				REV	BF1
CONTACTS: BERYLLIUM COPPER					
CONTACTS: PLATED .000030 MIN GOLD IN CONTACT AREA OVER .000050 MIN NICKEL					